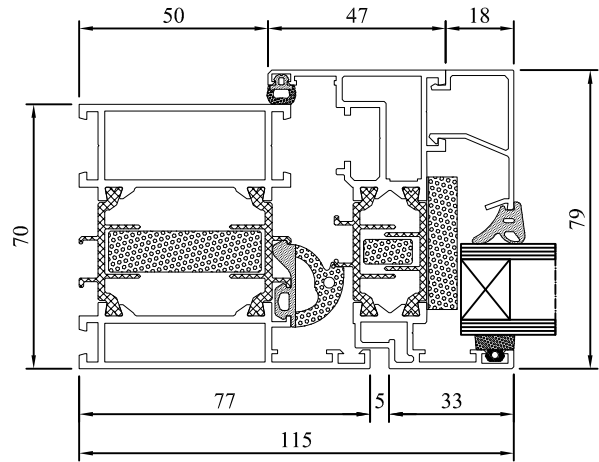
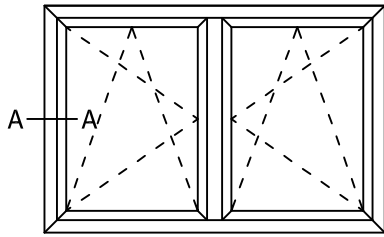
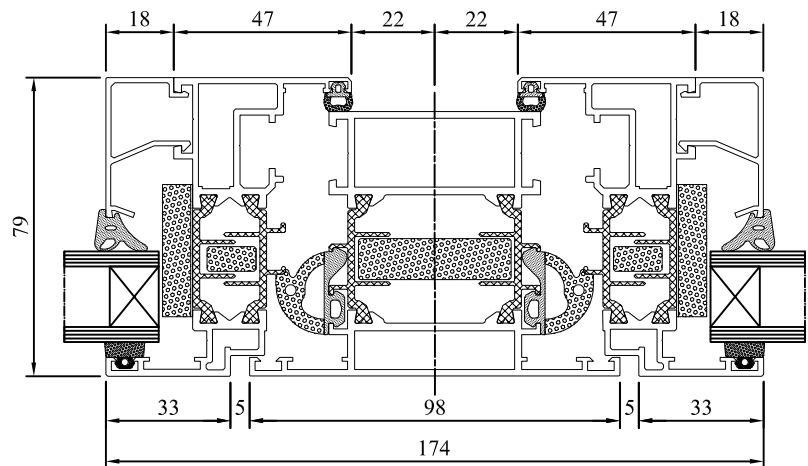
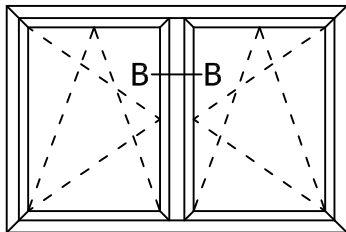


**A - A**



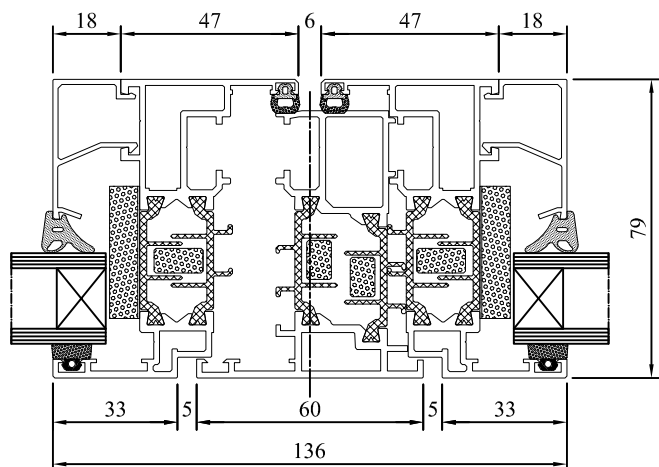
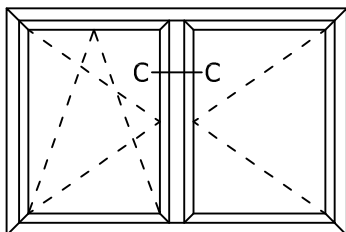
K518102X + K518331X

**B - B**



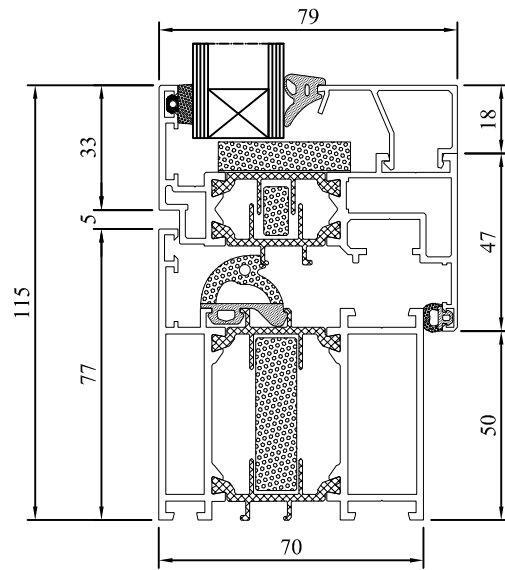
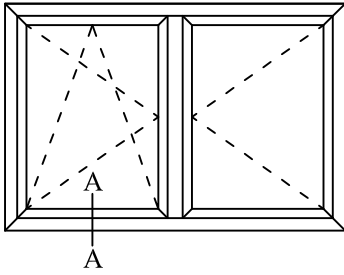
K518331X + K518122X + K518331X

**C - C**



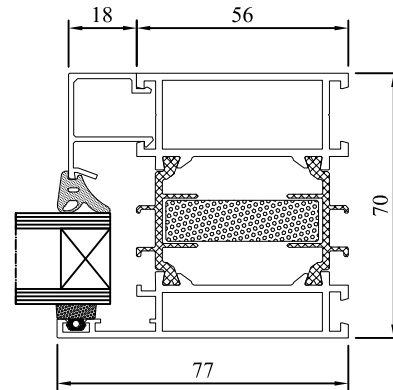
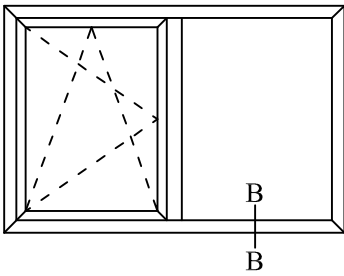
K518331X + K518333X + K518331X

**A - A**



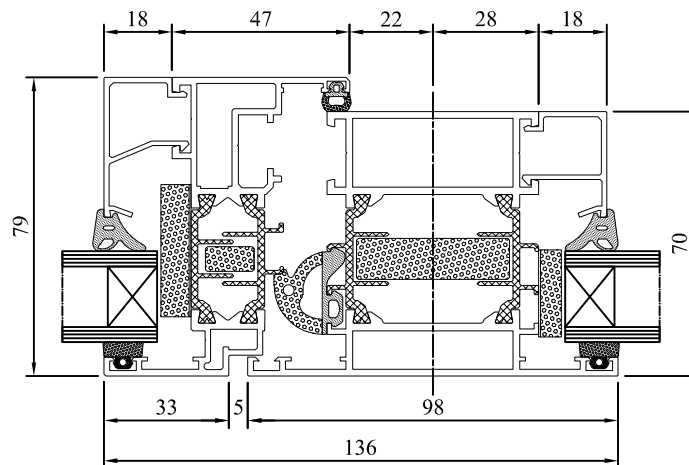
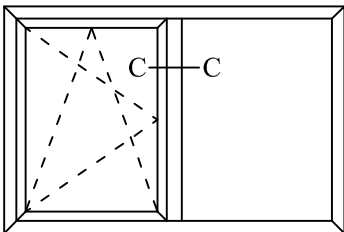
K518102X + K518331X

**B - B**

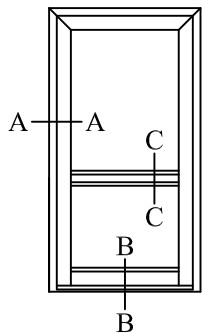


K518102X

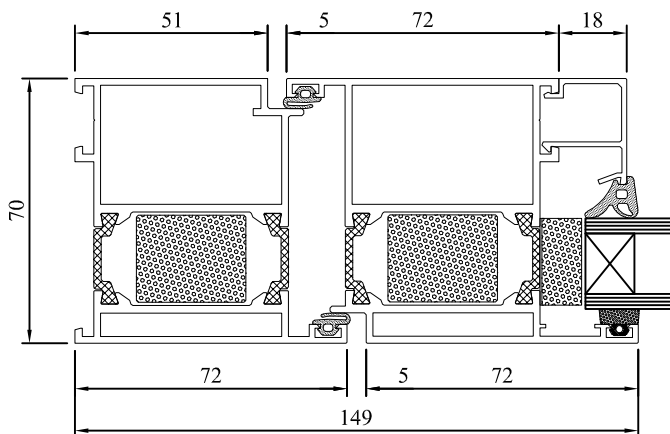
**C - C**



K518331X + K518122X

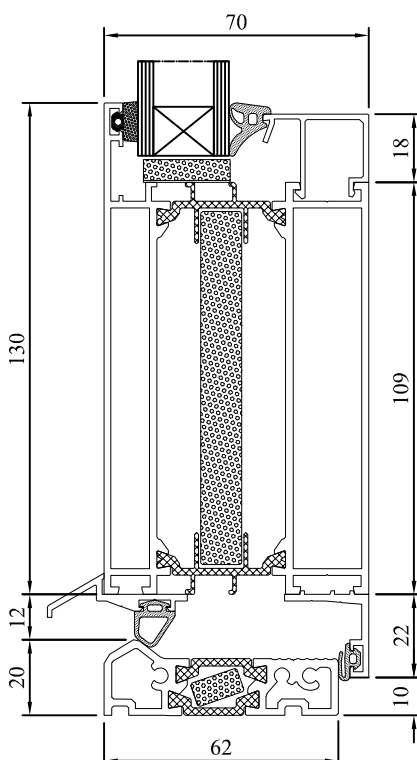


A - A



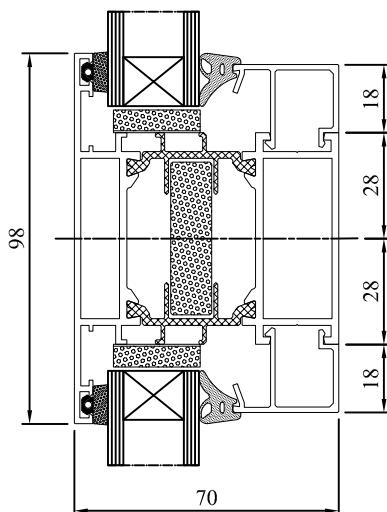
K518105X + K518114X

B - B

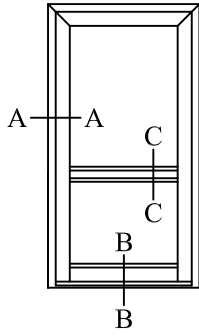


K518103X + K518235X

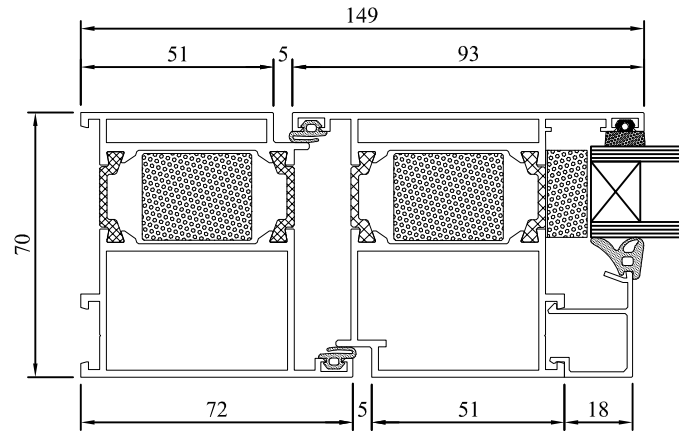
C - C



K518122X

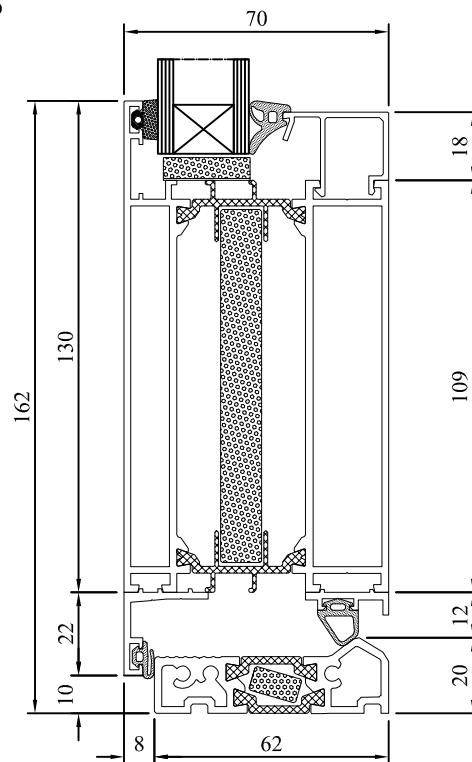


A - A



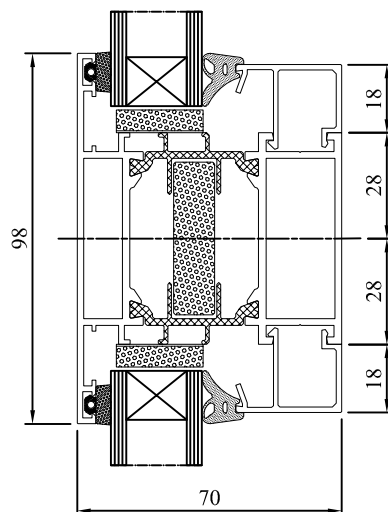
K518105X + K518114X

B - B

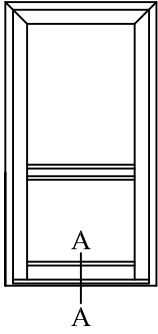


K518103X + K518235X

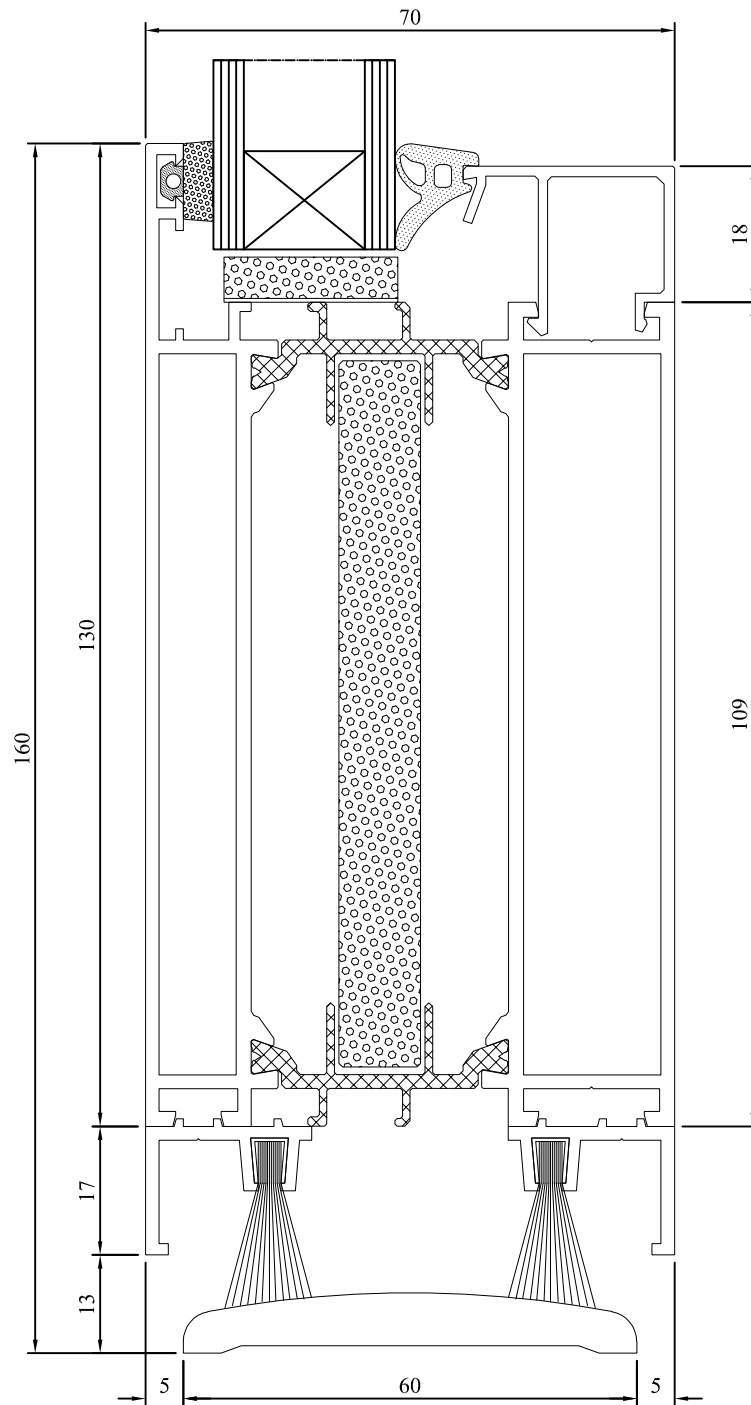
C - C



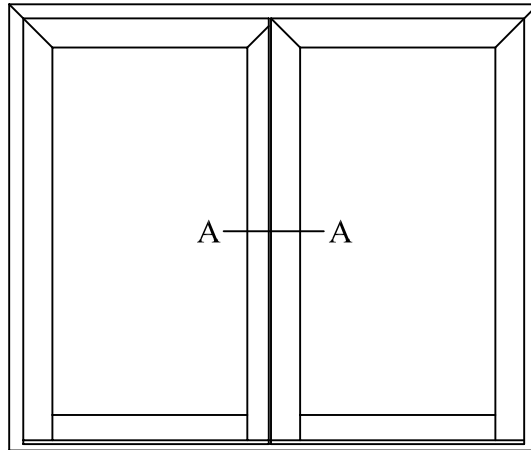
K518122X



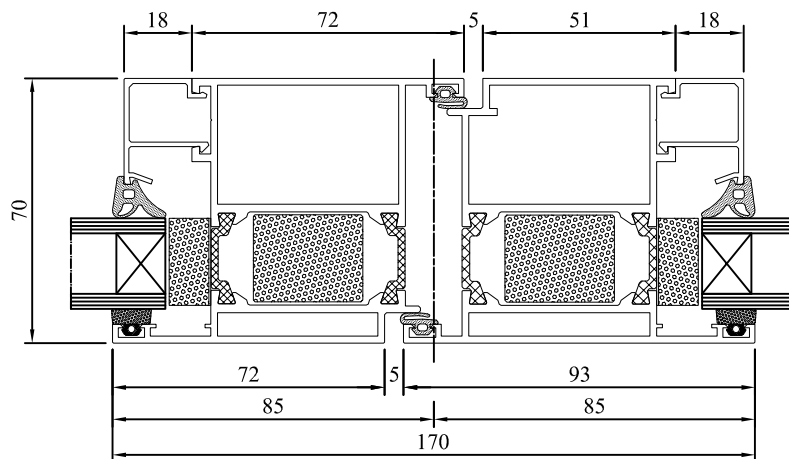
A - A



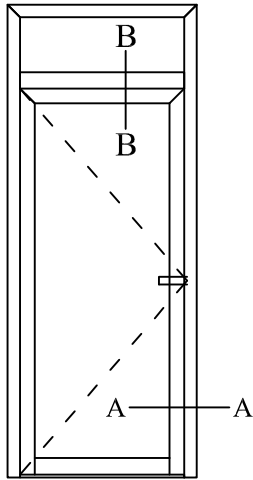
K518103X + K411035X



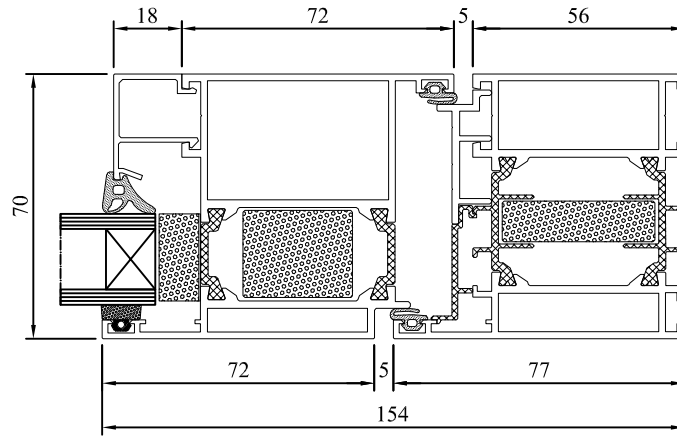
## A - A



K518114X + K518115X

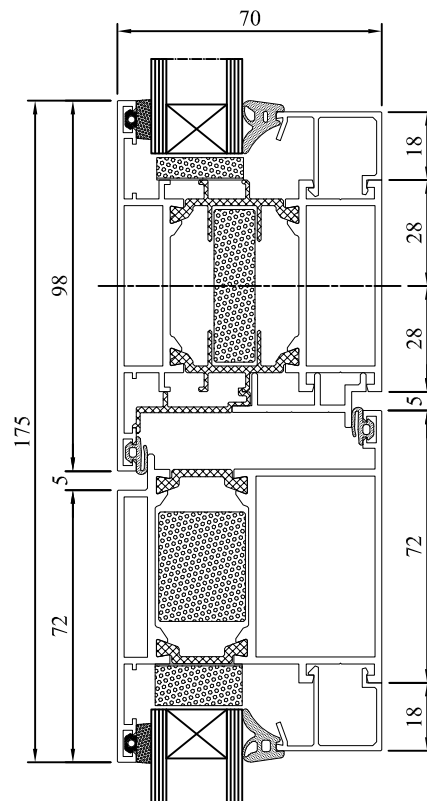


A - A

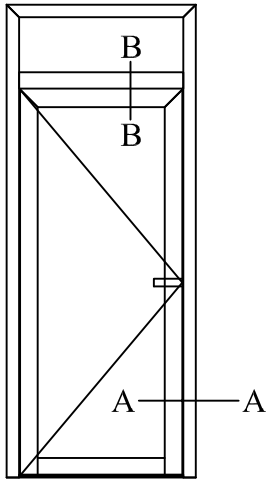


K518114X + K415227X + K518102X

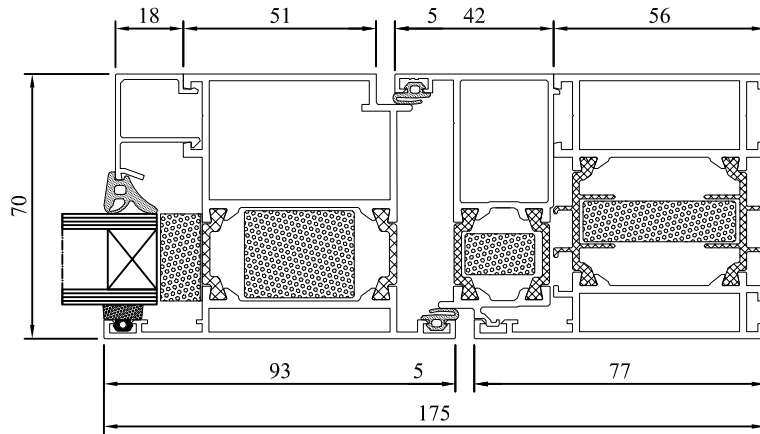
B - B



K518122X + K415227X + K518114X

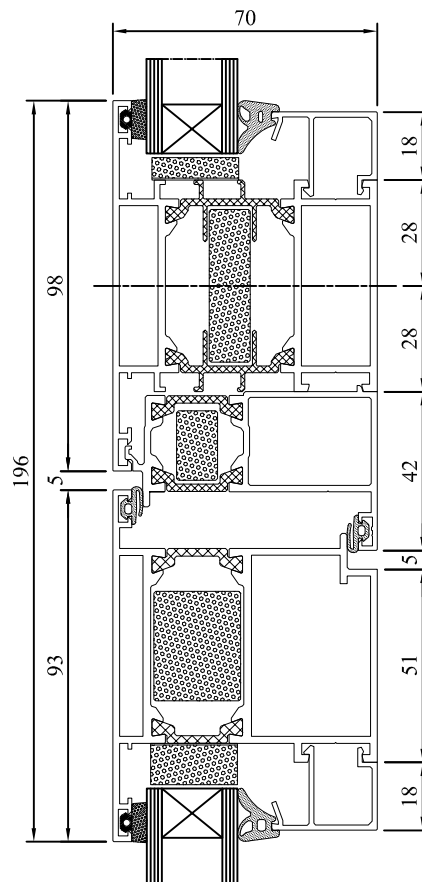


### A - A



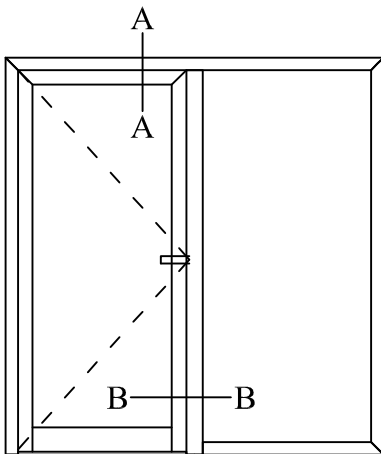
K518115X + K518406X + K518102X

### B - B

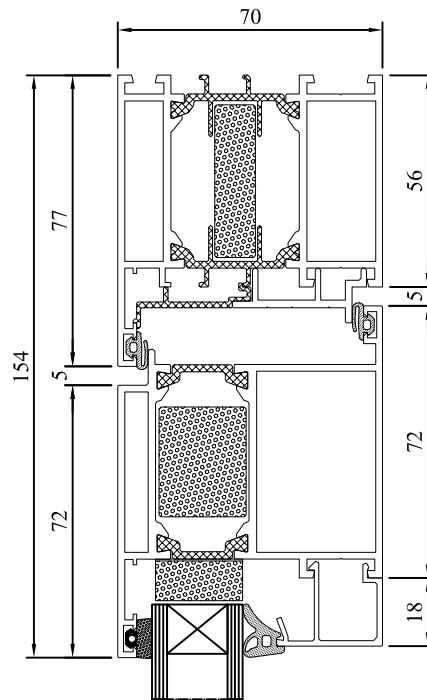


K518122X + K518406X + K518115X



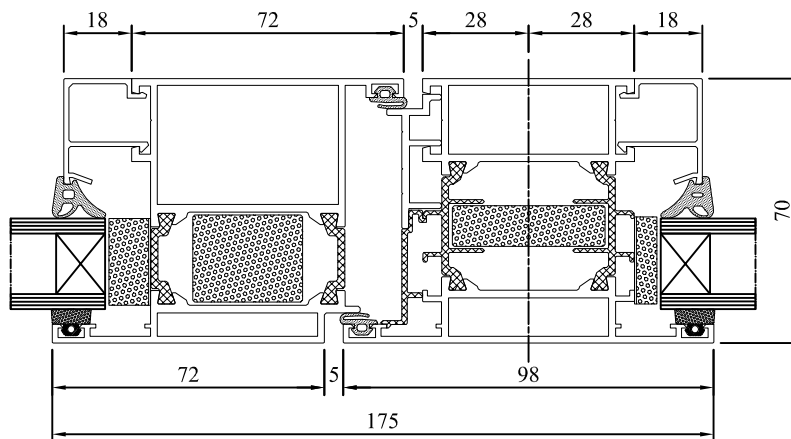


### A - A

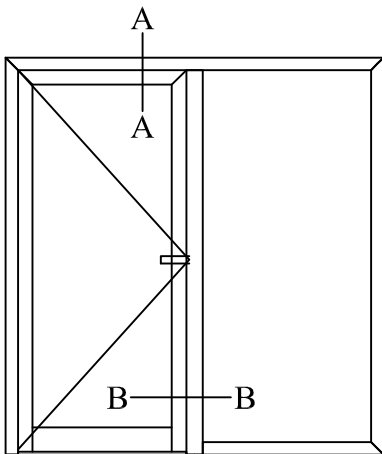


K518102X + K415227X + K518114X

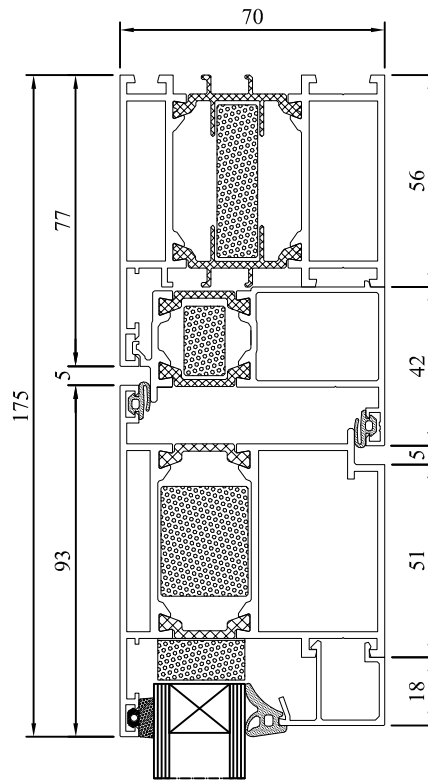
### B - B



K518114X + K415227X + K518122X

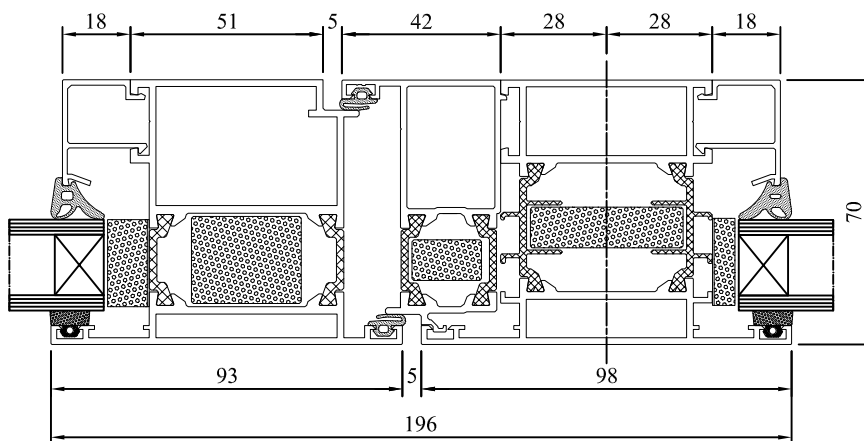


A - A

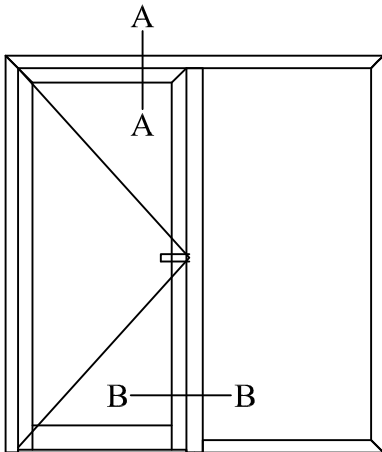


K518102X + K518406X + K518115X

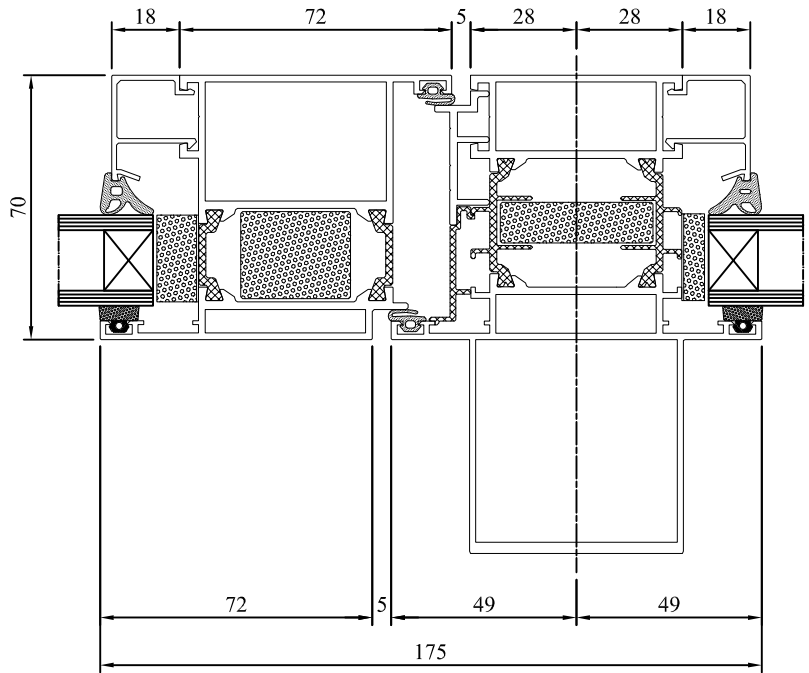
B - B



K518115X + K518406X + K518122X

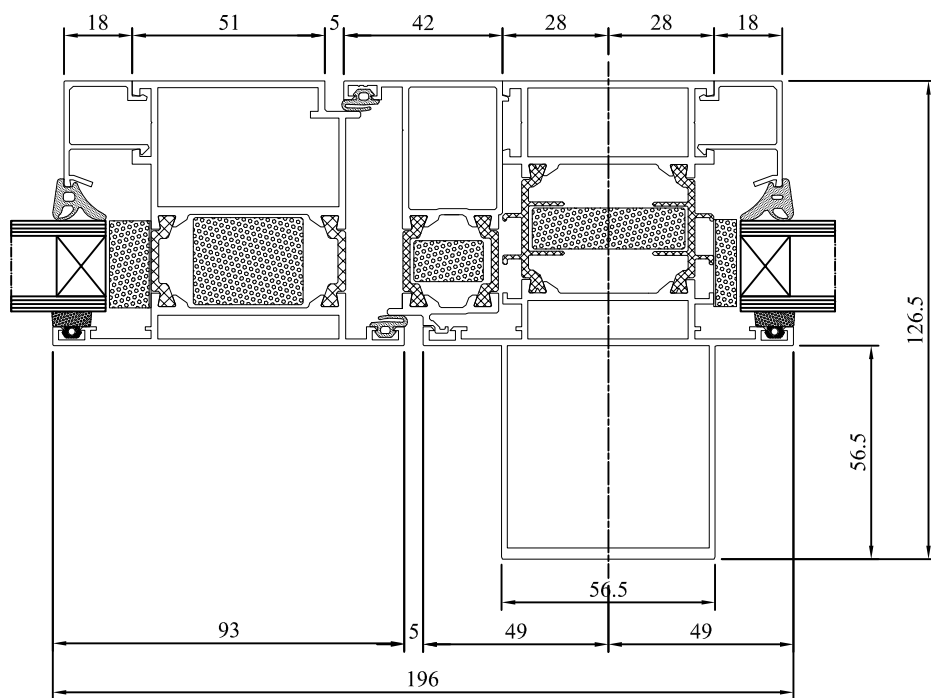


A - A

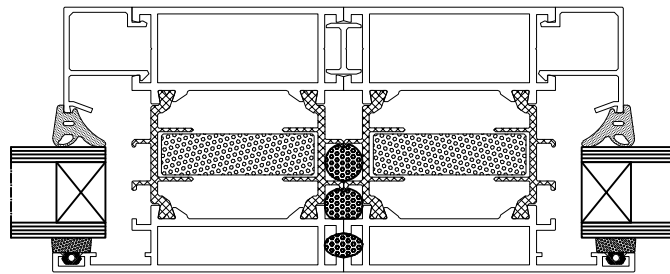
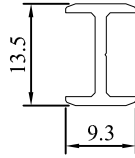


K518114X + K415227X + K518125X

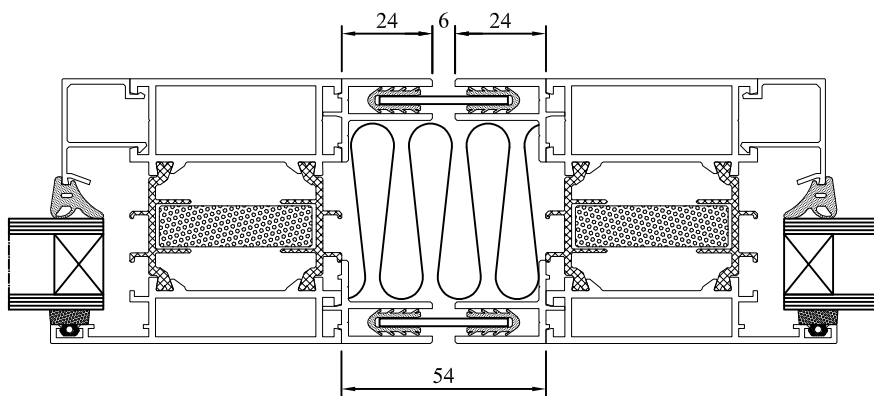
A - A



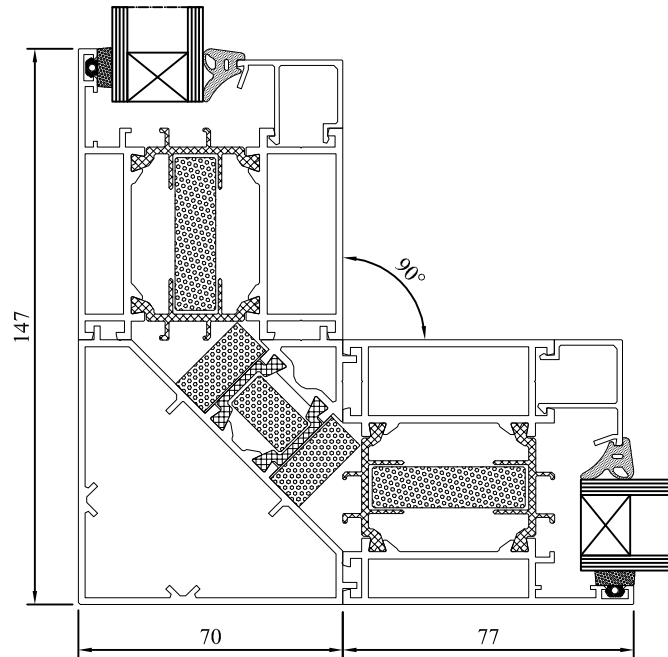
K518115X + K518406X + K518125X



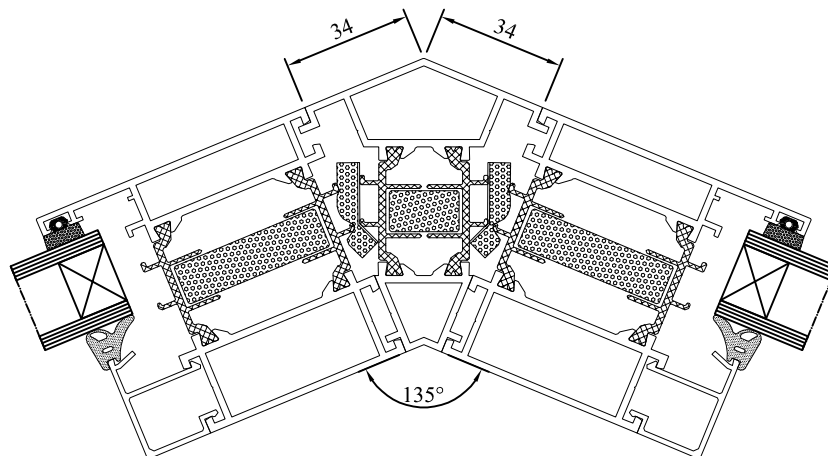
K518102X + K4178370 + K518102X



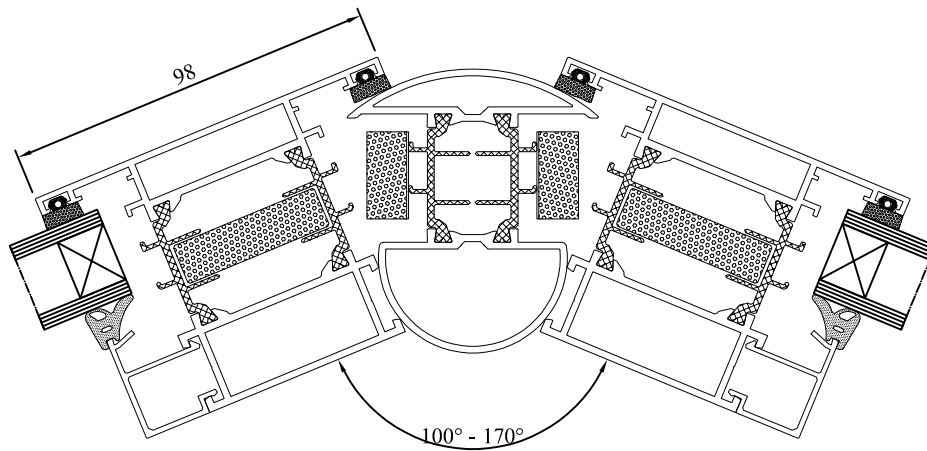
K518102X + K415248X + K518102X



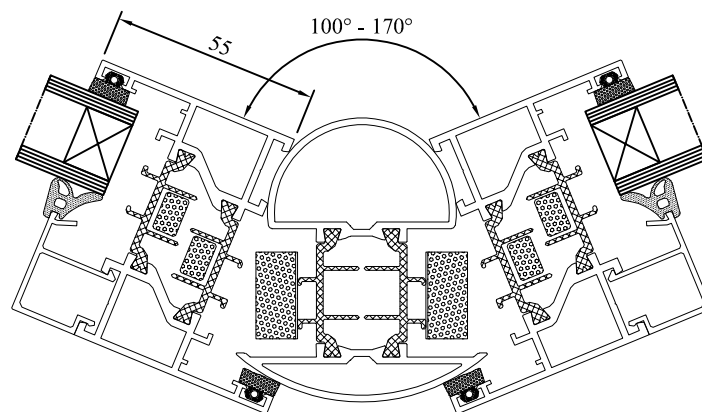
K518102X + K518292X + K518102X



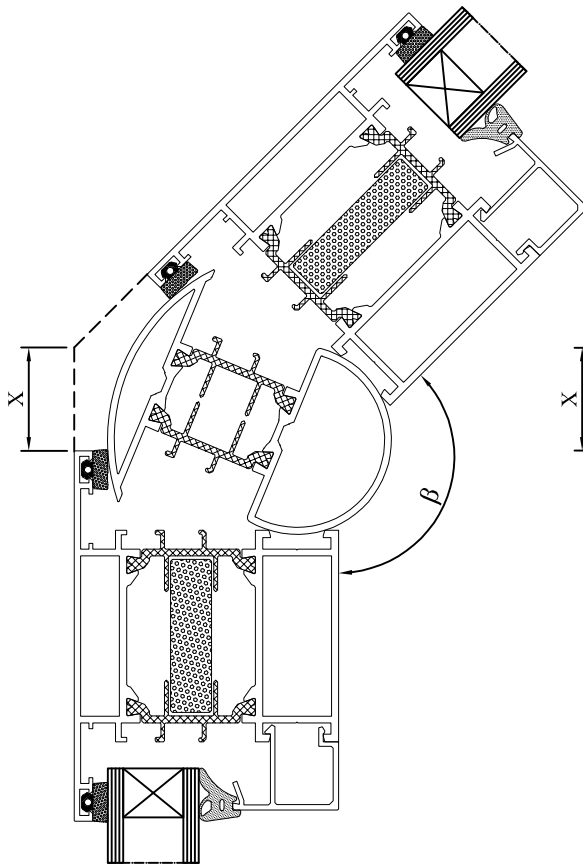
K518102X + K518131X + K518102X



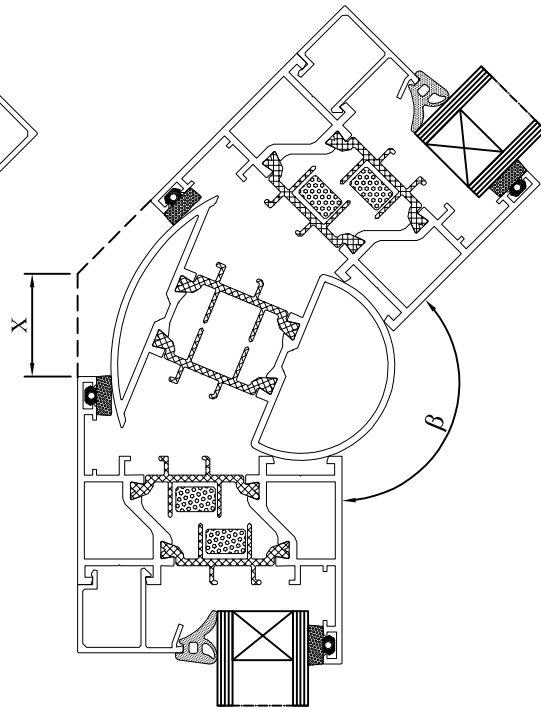
K518122X + K518132X + K518122X



K518133X + K518132X + K518133X

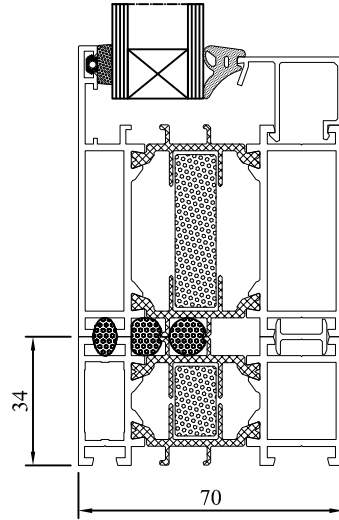


K518122X + K518132X + K518122X

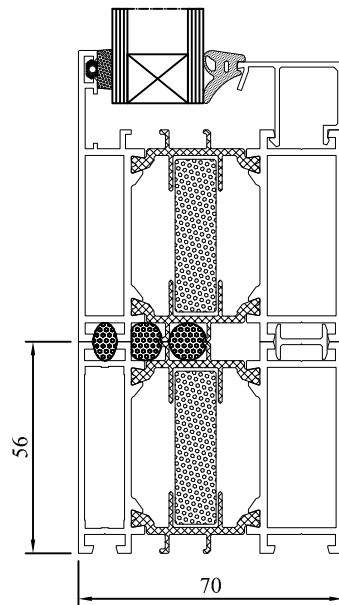


K518133X + K518132X + K518133X

$\beta$	X
170	8
165	10,6
160	13,2
155	15,9
150	18,6
145	21,4
140	24,3
135	27,3
130	30,3
125	33,5
120	36,9
115	40,4
110	44,1
105	48,1
100	52,3

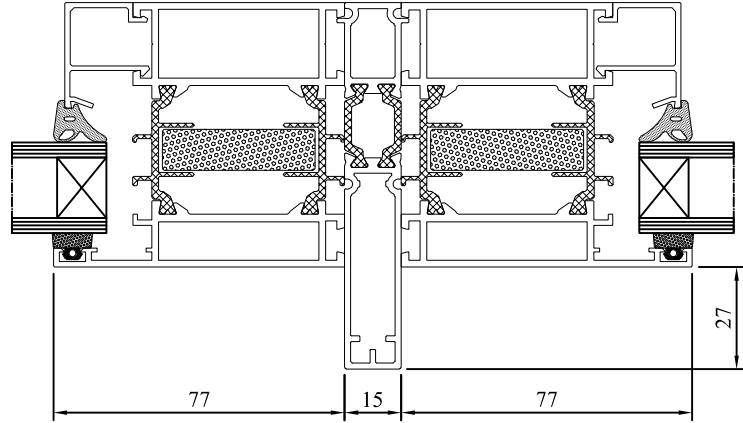
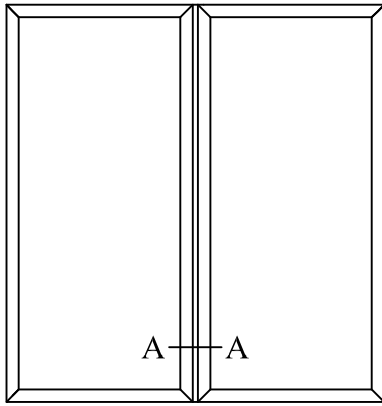


K518102X + K518297X

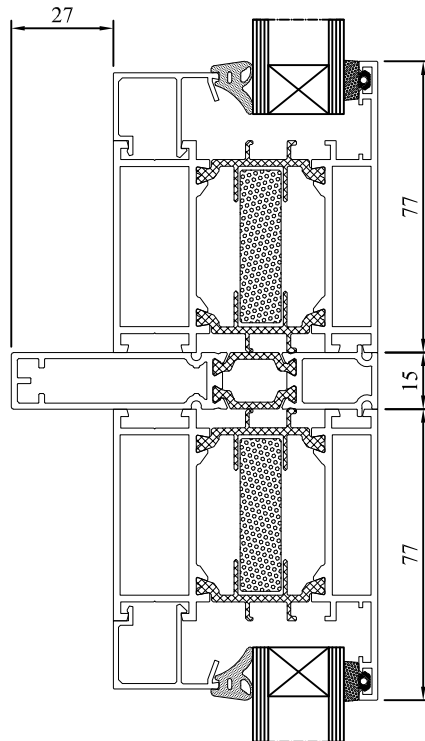
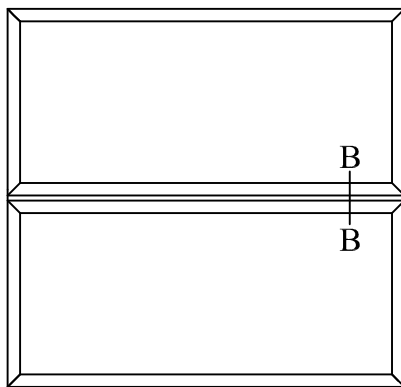


K518102X + K518293X

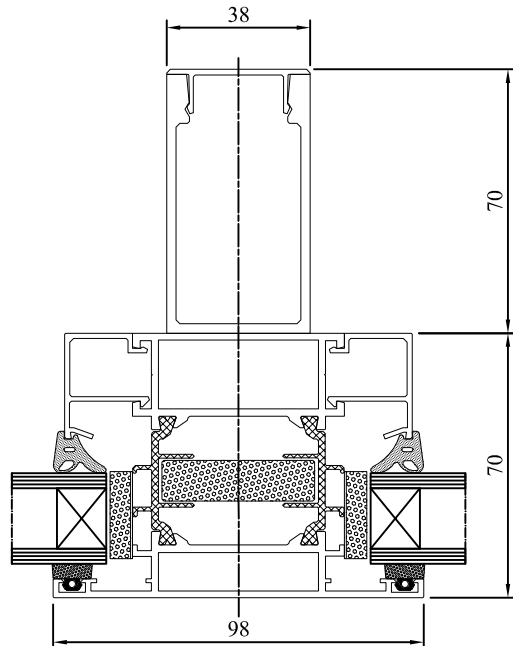
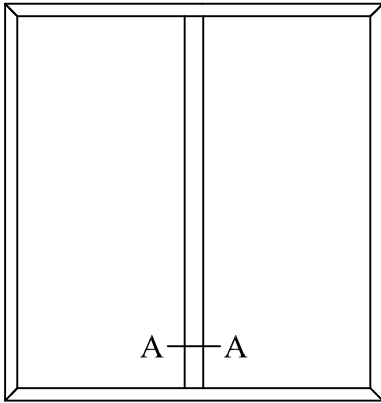




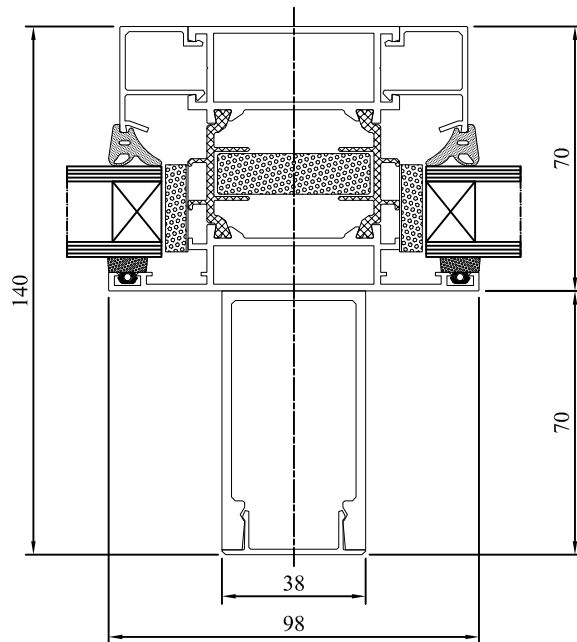
K518102X + K518370X + K518102X



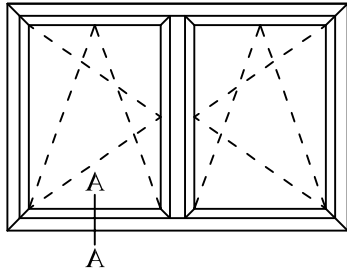
K518102X + K518370X + K518102X



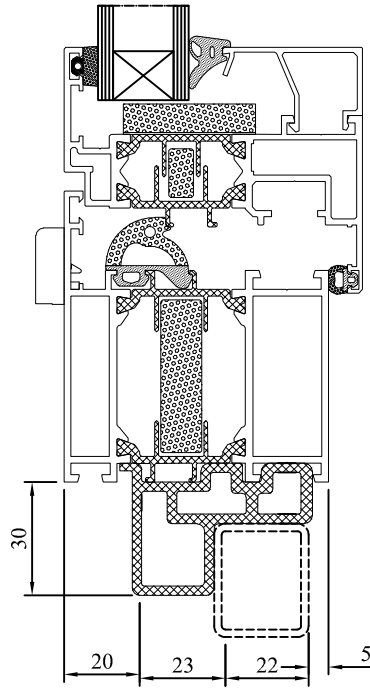
K518122X + K413923X + K413924X



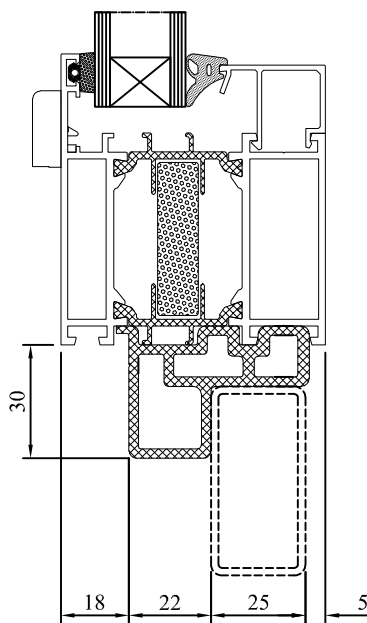
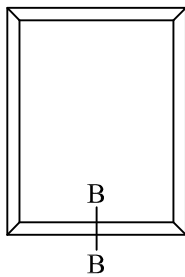
K518122X + K413923X + K413924X



## A - A



009035



009035