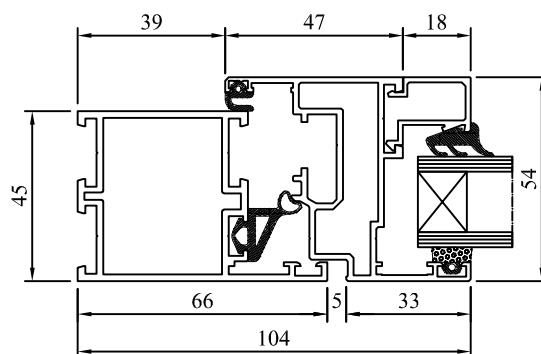
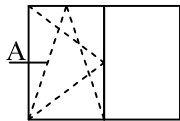
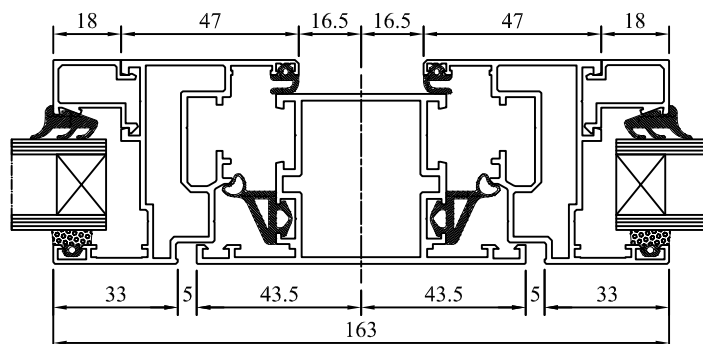
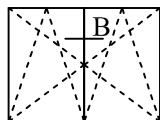


## A - A



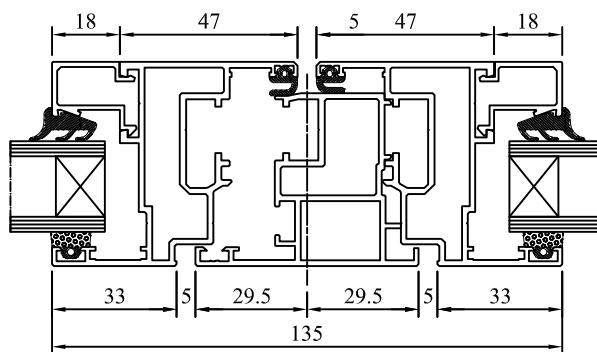
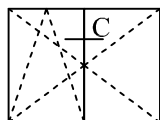
K415219X + K430030X

## B - B



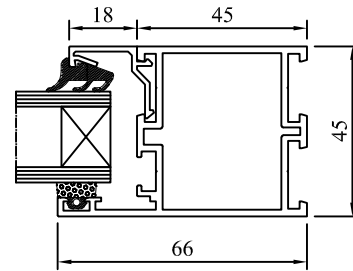
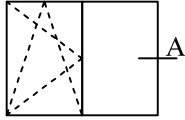
K430030X + K415223X + K430030X

## C - C



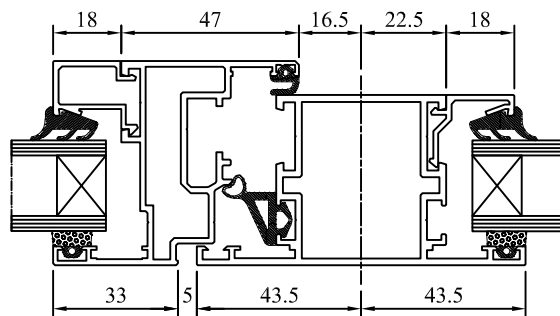
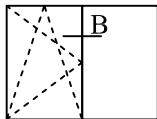
K430030X + K430031X + K430030X

## A - A

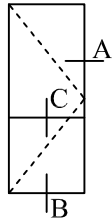


K415219X

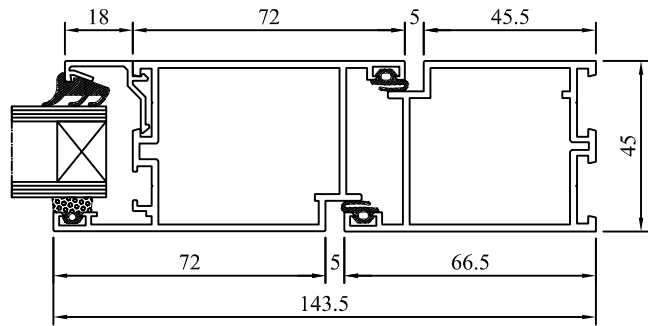
## B - B



K430030X + K415223X

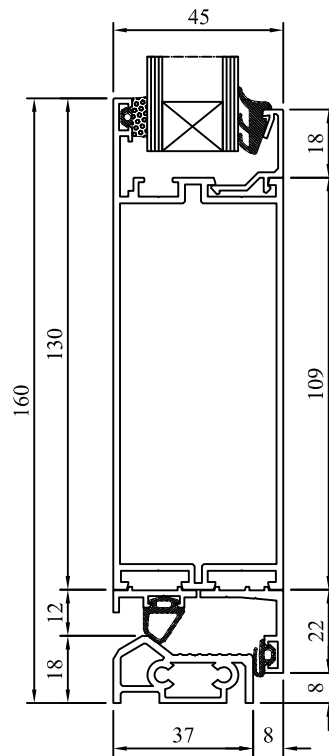


A - A



K415225X + K415224X

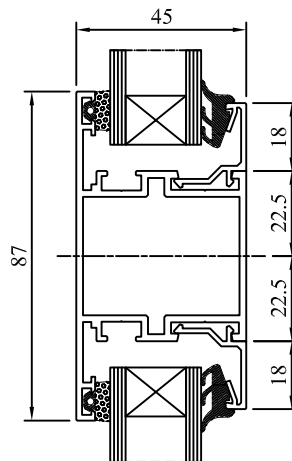
B - B



K415220X + K4152331

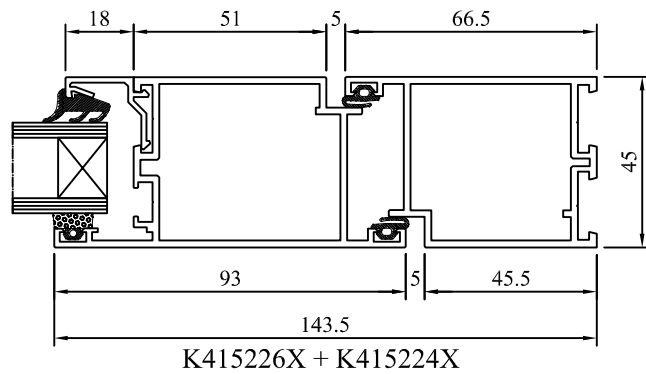
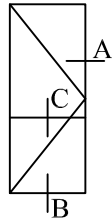
próg z daszkiem  
step with roof  
Schwelle mit Wölbung  
soglia con tetto

C - C

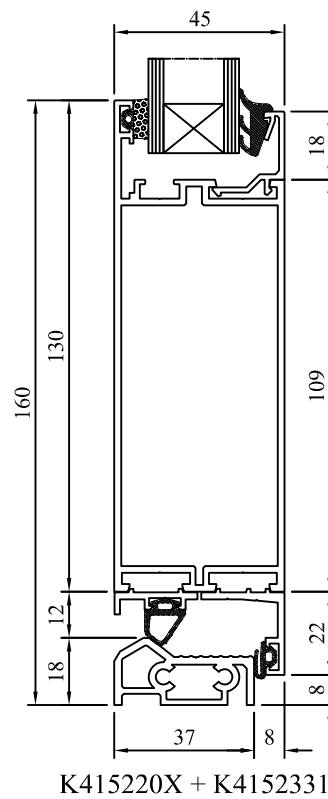


K415223X

A - A

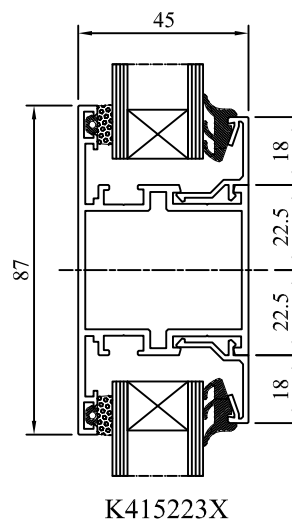


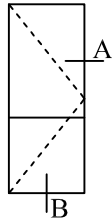
B - B



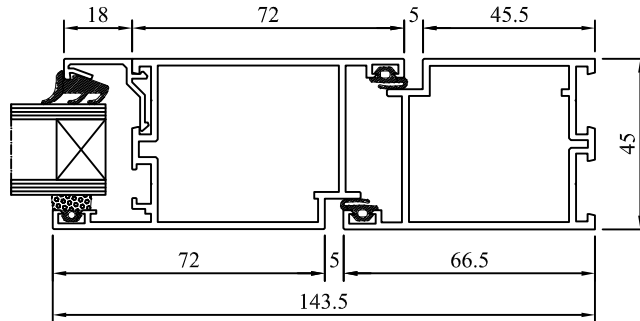
próg z daszkiem  
step with roof  
Schwelle mit Wölbung  
soglia con tetto

C - C



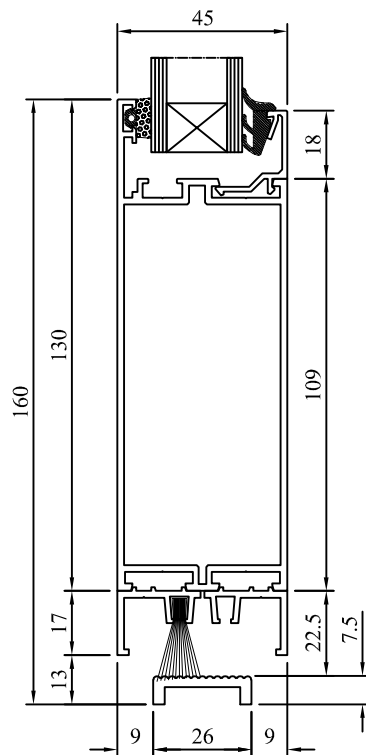


A - A



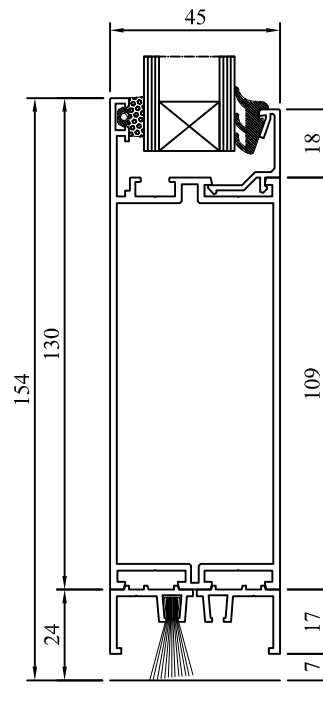
K415225X + K41224X

B - B



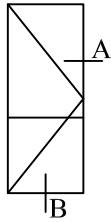
K415225X + K4125511

próg niski 7,5mm  
threshold 7,5mm  
Schwelle 7,5mm  
soglia bassa 7,5mm

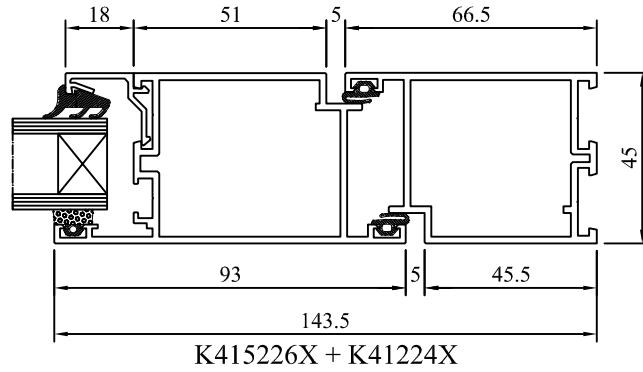


K415225X

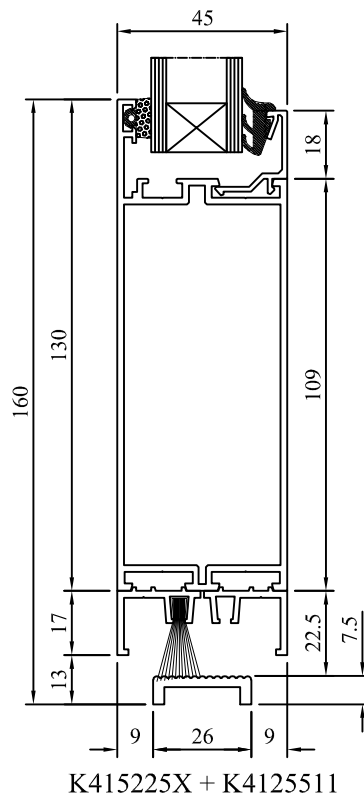
bez pręgu - szczotka  
without threshold - with brush  
Ohne Schwelle - mit Bürste  
senza soglia - con spazola



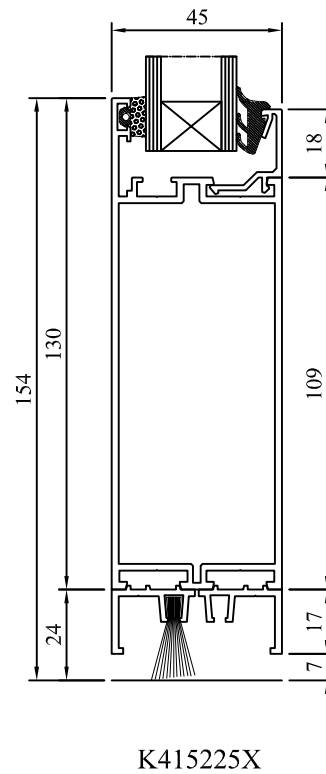
A - A



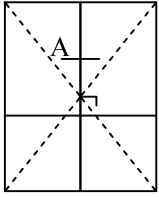
B - B



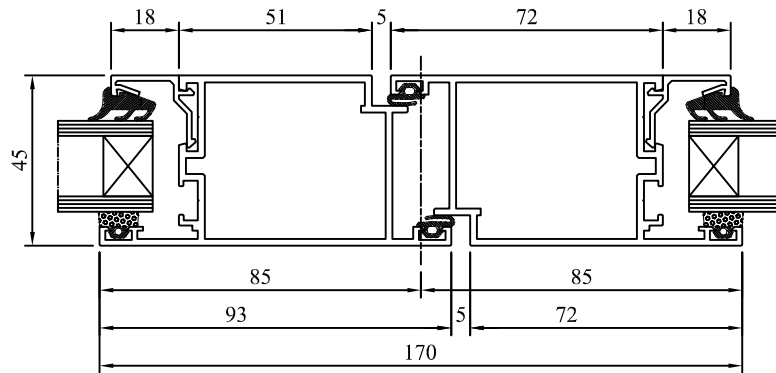
próg niski 7,5mm  
threshold 7,5mm  
Schwelle 7,5mm  
soglia bassa 7,5mm



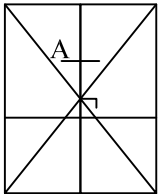
bez progów - szczotka  
without threshold - with brush  
Ohne Schwelle - mit Bürste  
senza soglia - con spazzola



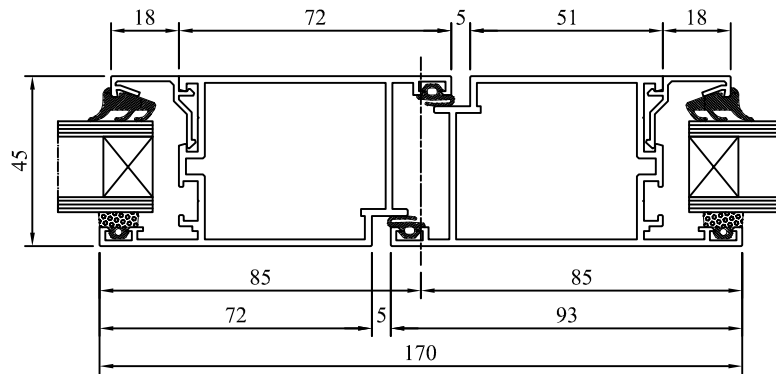
## A - A



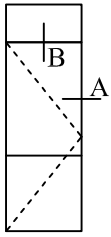
K415225X + K41226X



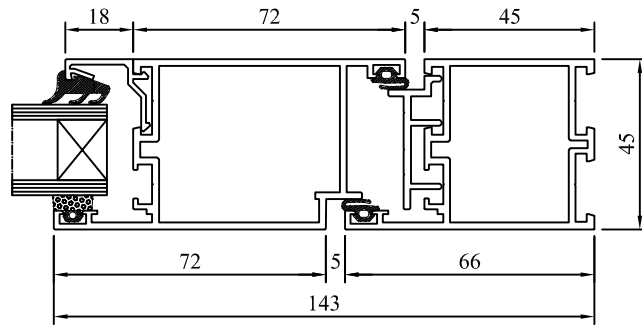
## A - A



K415225X + K41226X

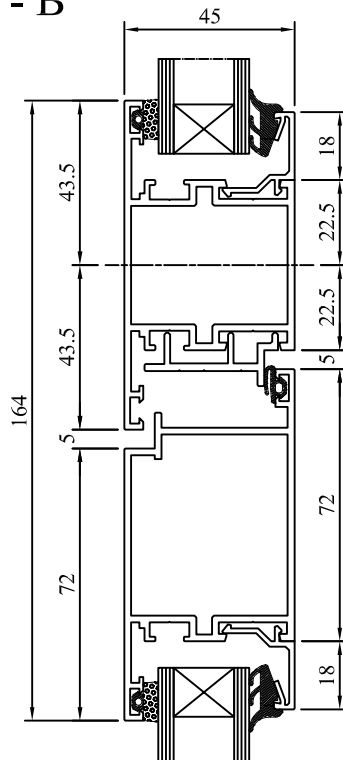


A - A



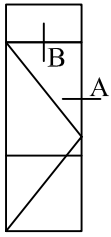
K415225X + K415227X + K415219X

B - B

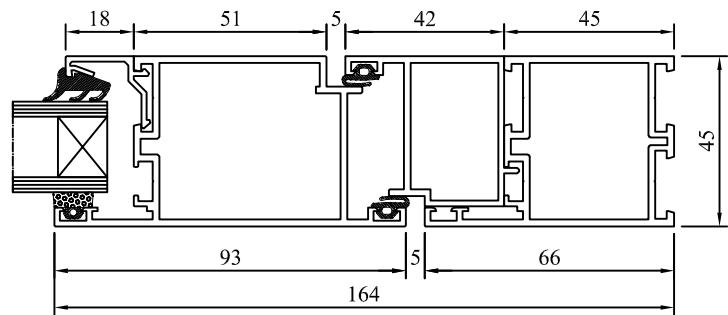


K415223X + K415227X + K415225X



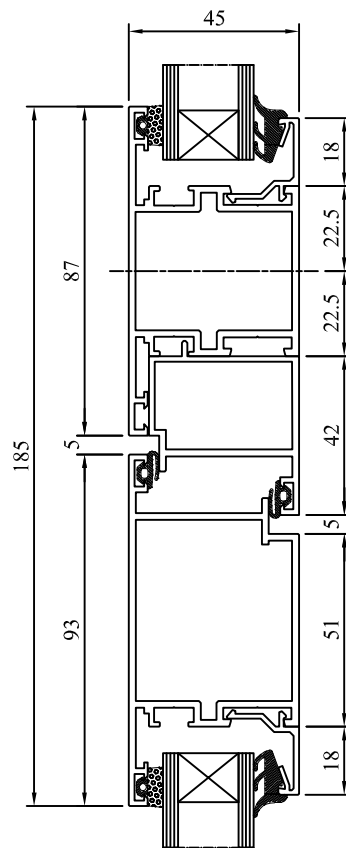


A - A

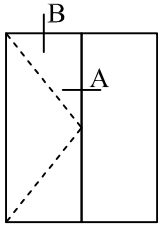


K415226X + K415228X + K415219X

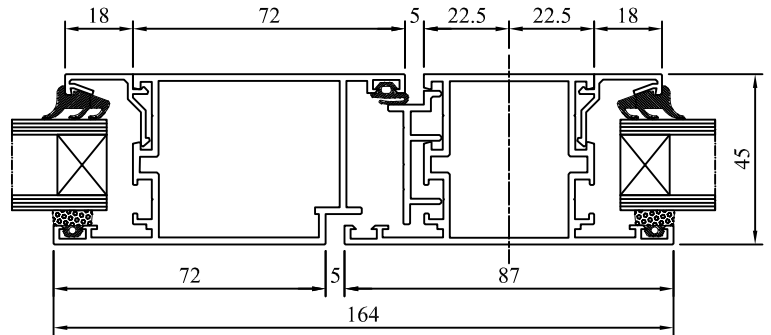
B - B



K415223X + K415227X + K415226X

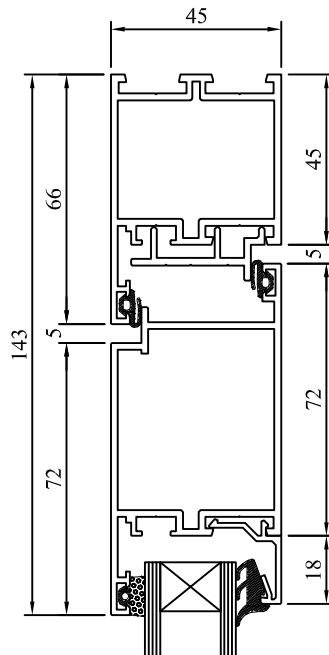


A - A

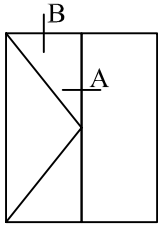


K415225X + K415227X + K415223X

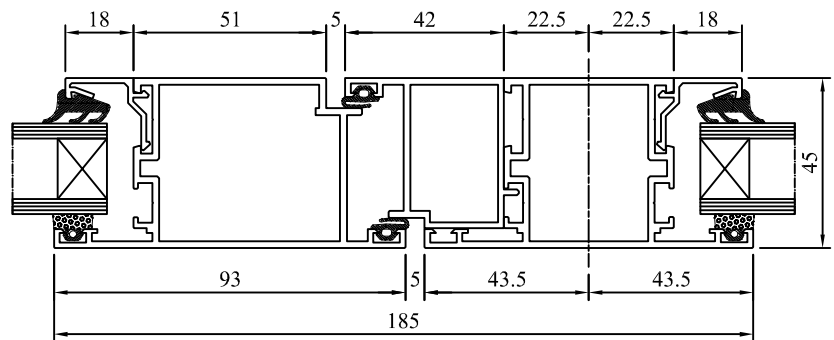
B - B



K415219X + K415227X + K415225X

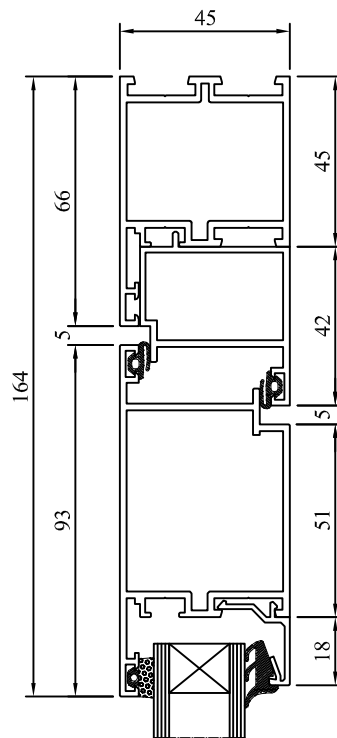


## A - A

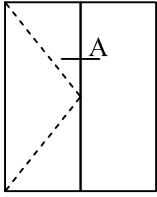


K415226X + K415227X + K415223X

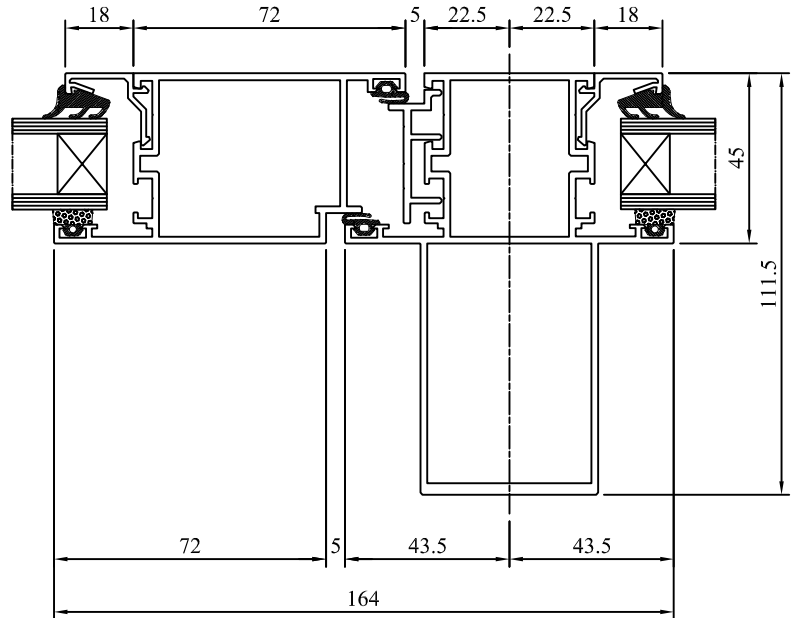
## B - B



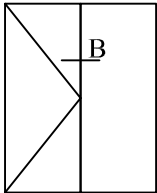
K415219X + K415228X + K415226X



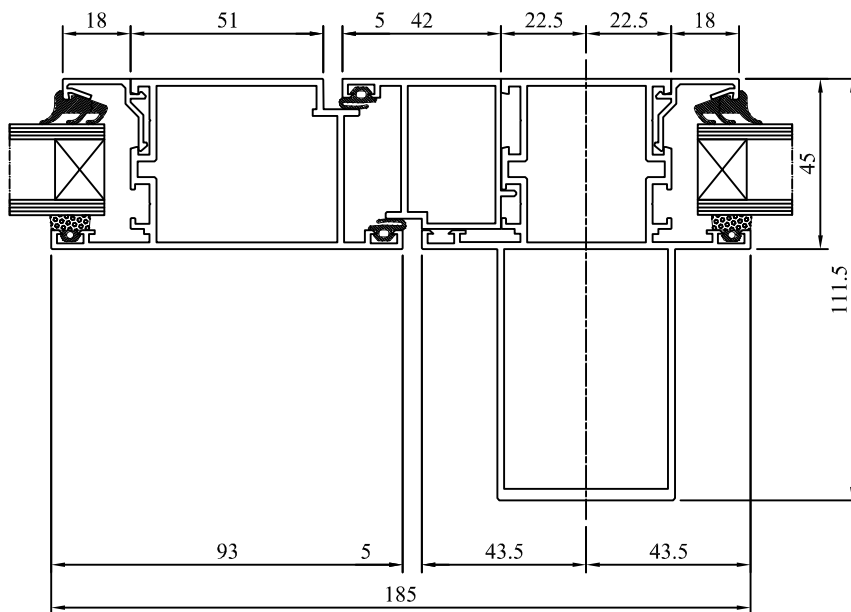
A - A



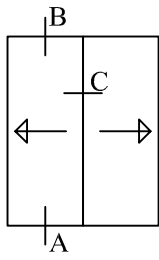
K415225X + K415227X + K417808X



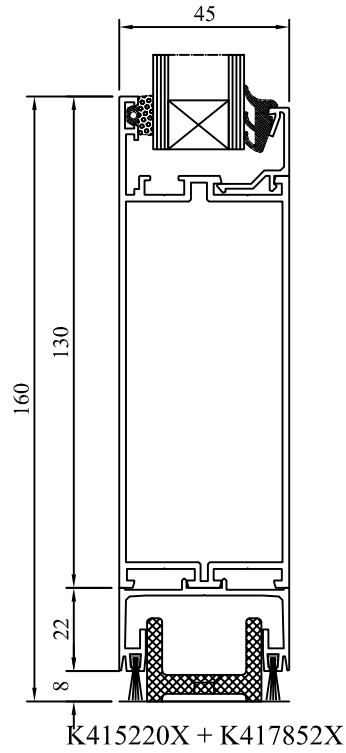
B - B



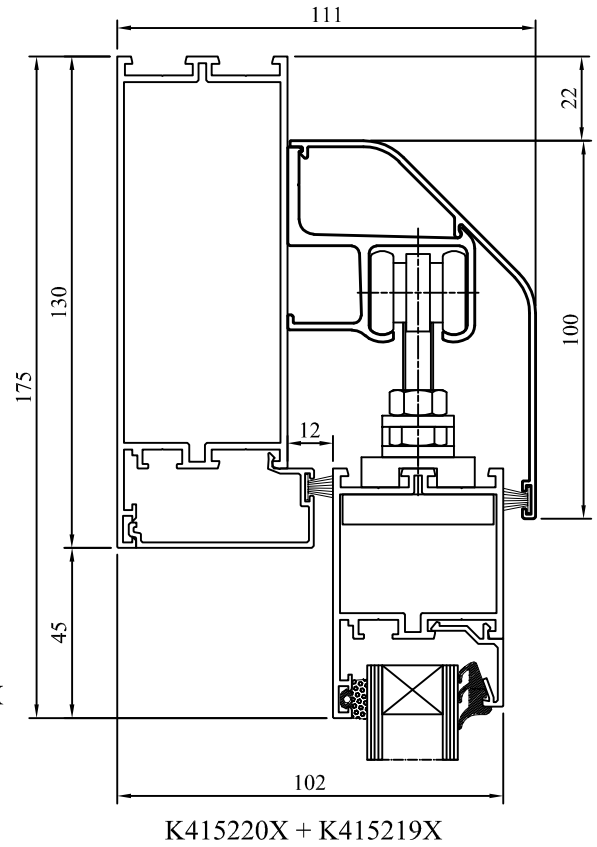
K415226X + K415227X + K417808X



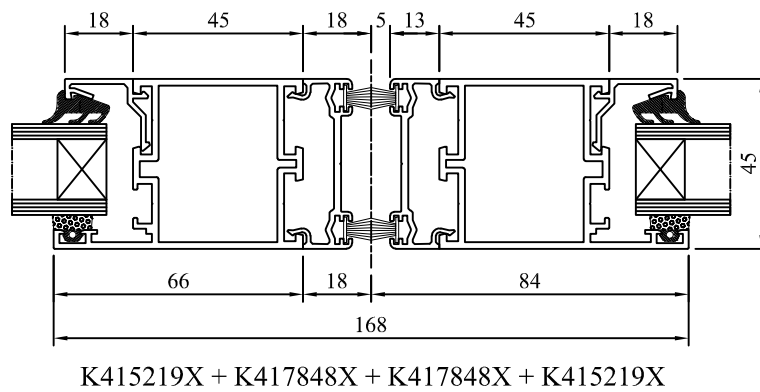
A - A

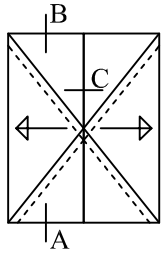


B - B

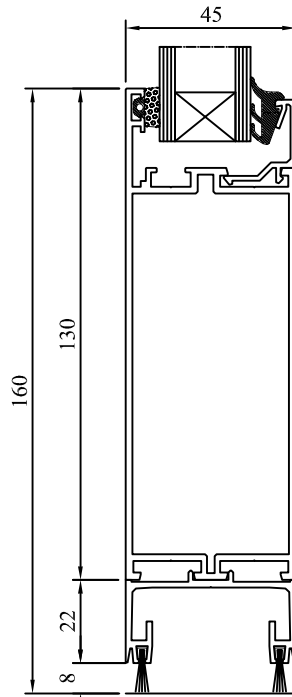


C - C



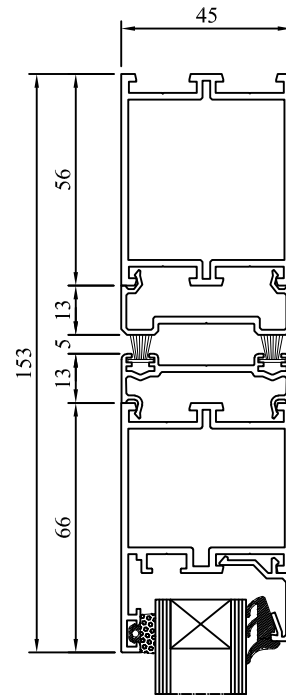


A - A



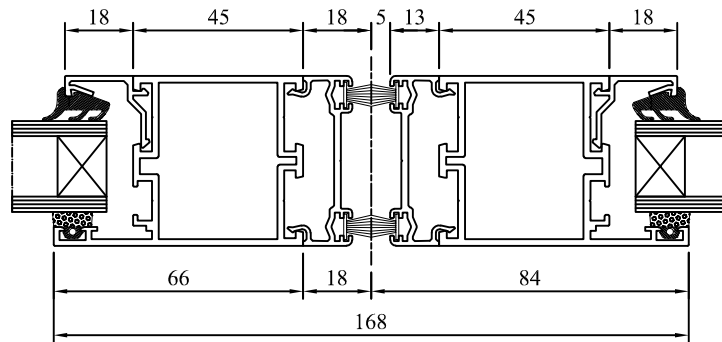
K415220X + K417852X

B - B

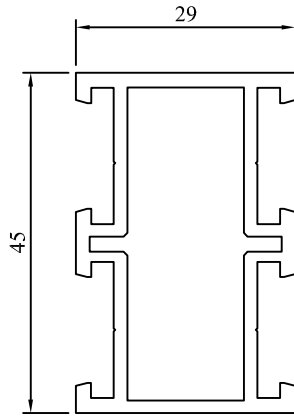


K417898X + K417848X + K415219X

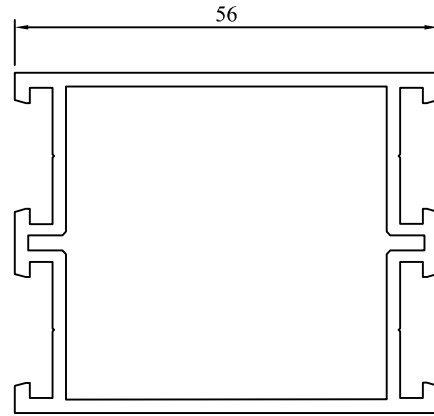
C - C



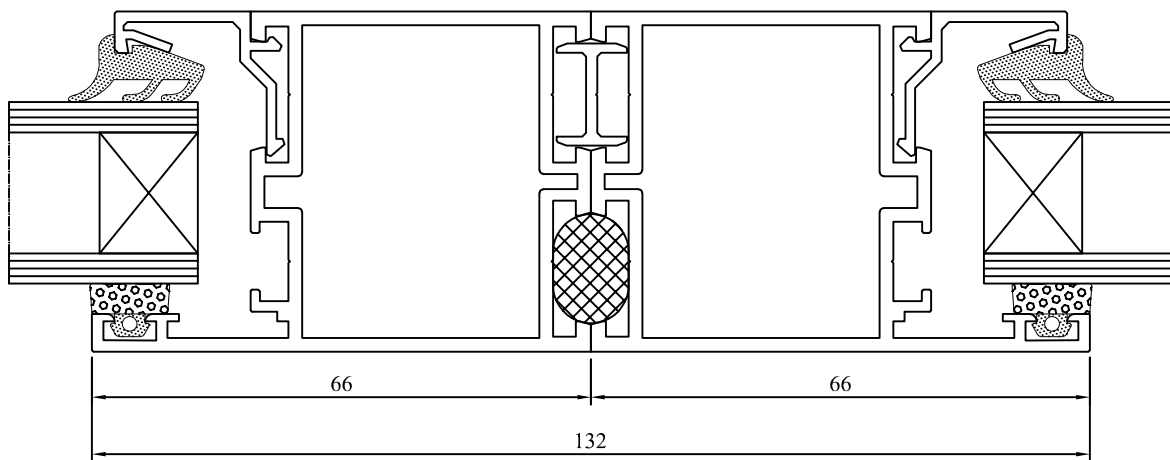
K415219X + K417848X + K417848X + K415219X



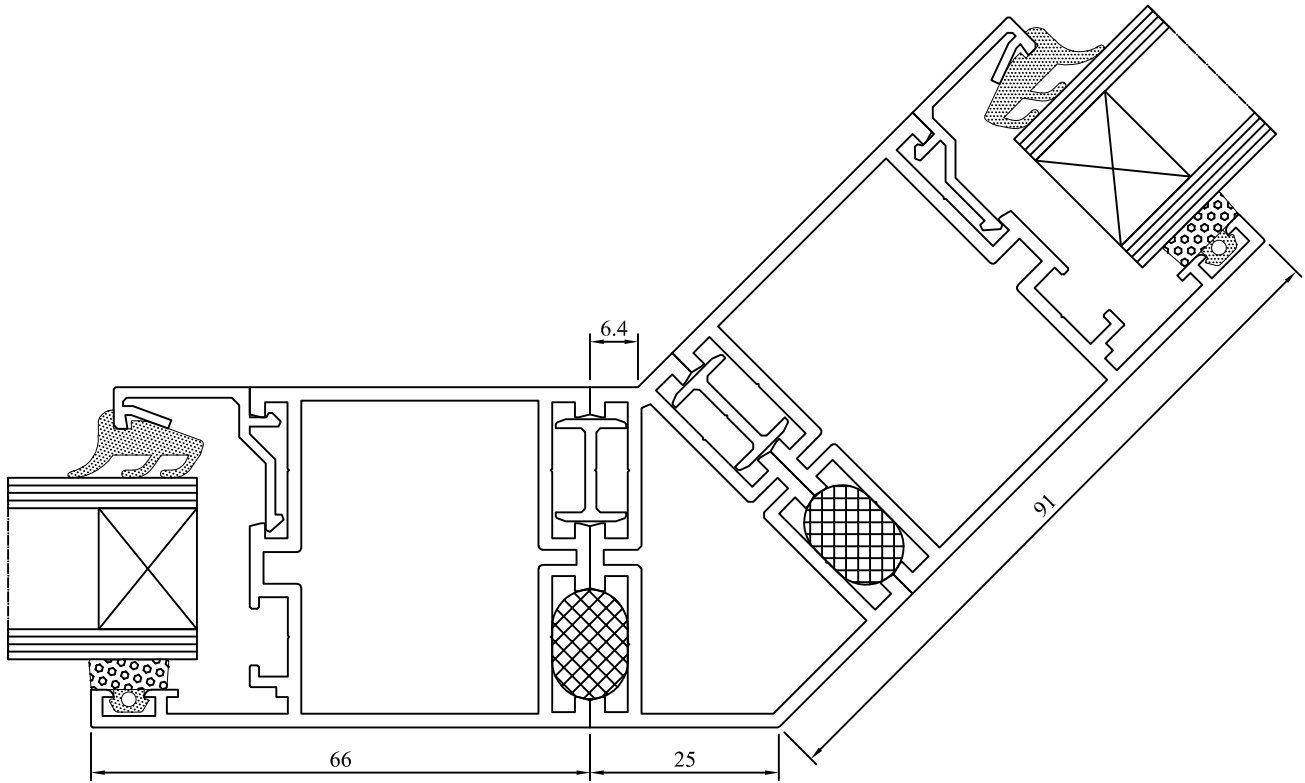
K417897X



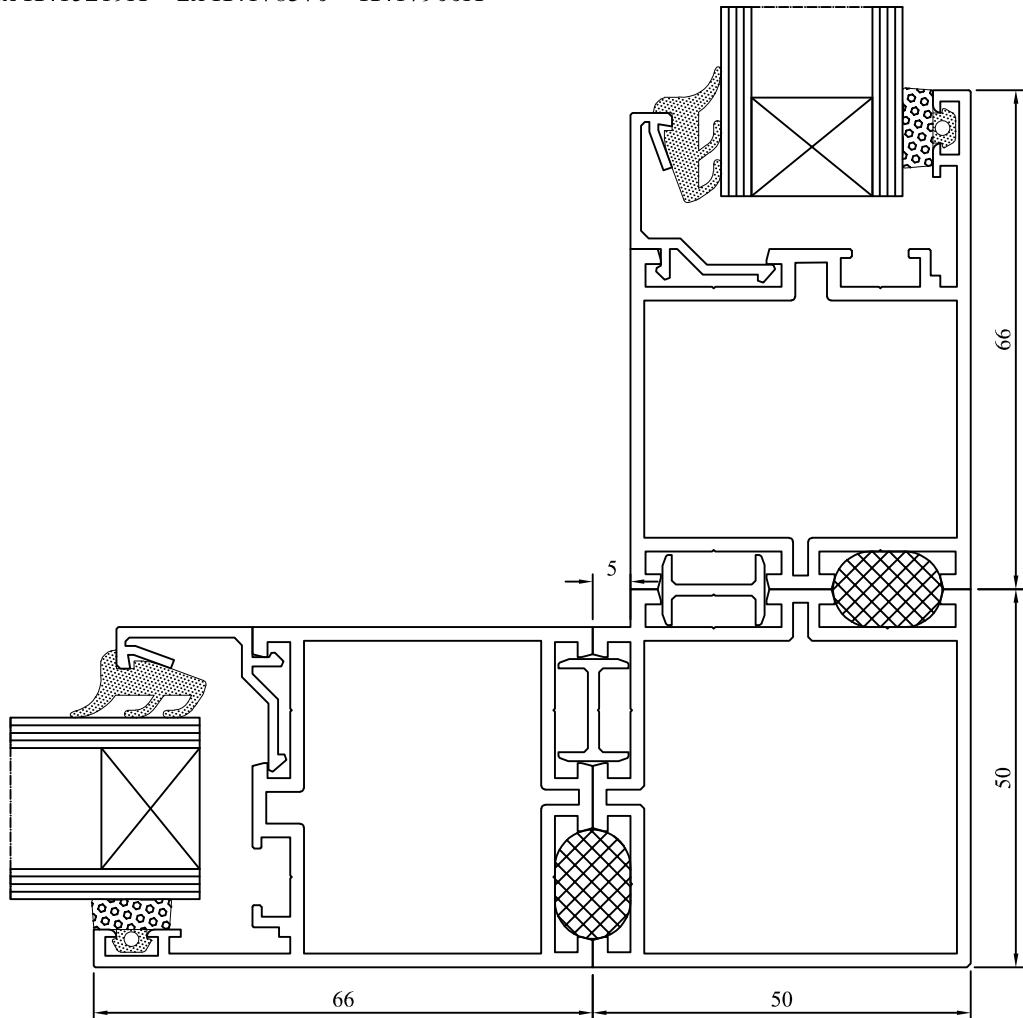
K417898X



K415219X + K4178370 + K415219X

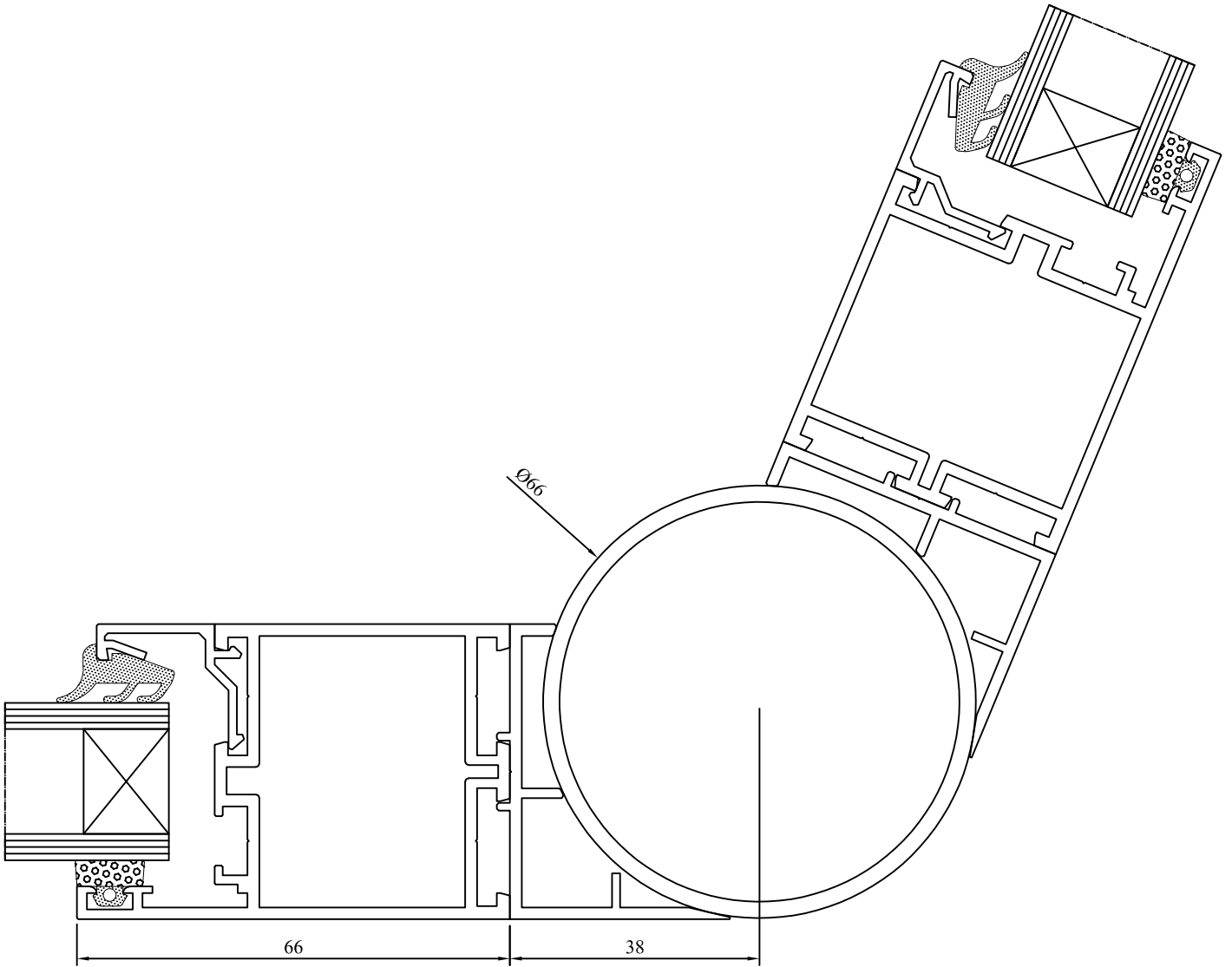


2x K415219X + 2x K4178370 + K417900X

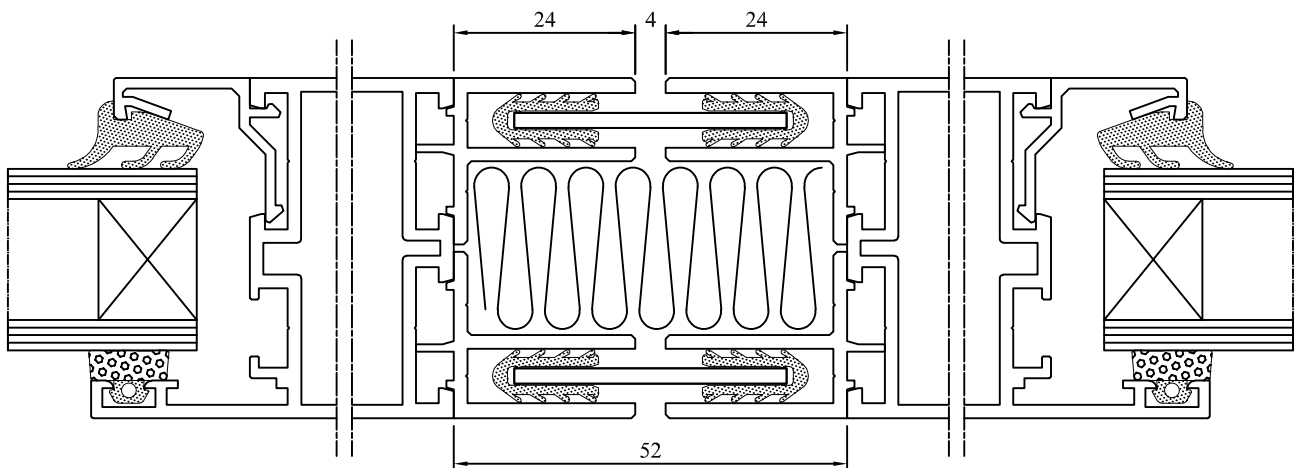


2x K415219X + 2x K4178370 + K417899X

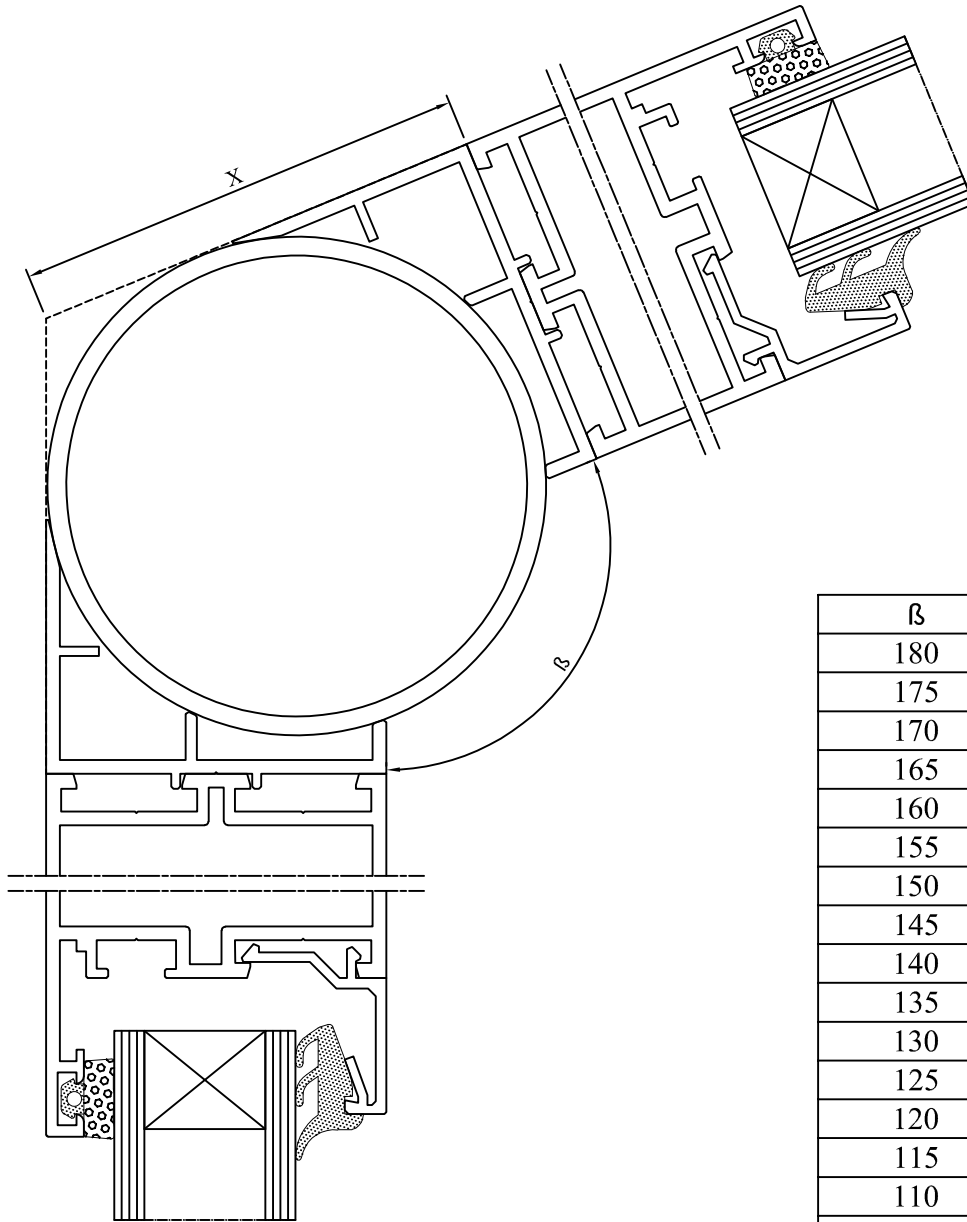




2x K415219X + 2x K417811X + K41R001X

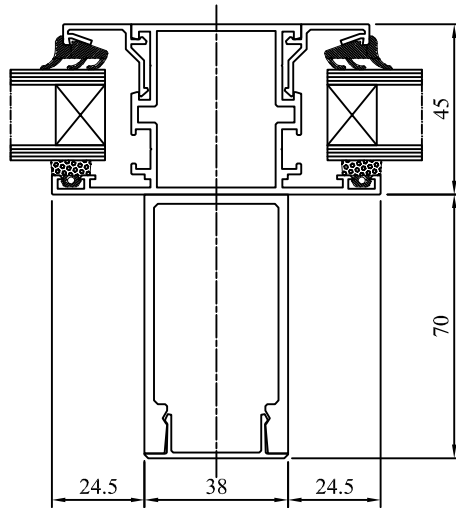
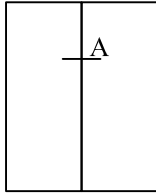


2x K415219X + 2x K415248X



2x K415219X + 2x K417811X + K41R001X

β	X
180	38
175	39,4
170	40,9
165	42,3
160	43,8
155	45,3
150	46,8
145	48,4
140	50
135	51,7
130	53,4
125	55,2
120	57,1
115	59
110	61,1
105	63,3
100	65,7
95	68,2
90	71
85	74
80	77,3
75	81
70	85,1
65	89,8
60	95,2
55	101,4
50	108,8
45	117,7



profil statyczny K413923X + K413924X  
Static profile K413923X + K413924X  
profilo statico K413923X + K413924X  
Statisches Profil K413923X + K413924X

